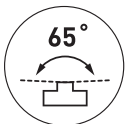


FCE48TALT

# Vision S Side Cameras (left & right)



## Main Features



OPTIMAL 65°  
VIEWING ANGLE



INFRARED  
NIGHT VISION



CAMERA  
RESOLUTION



INTELLIGENT  
IR CUT FILTER



MOTION  
DETECT

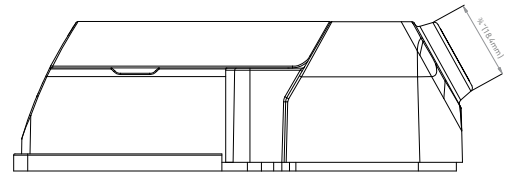
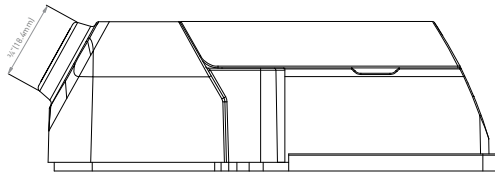
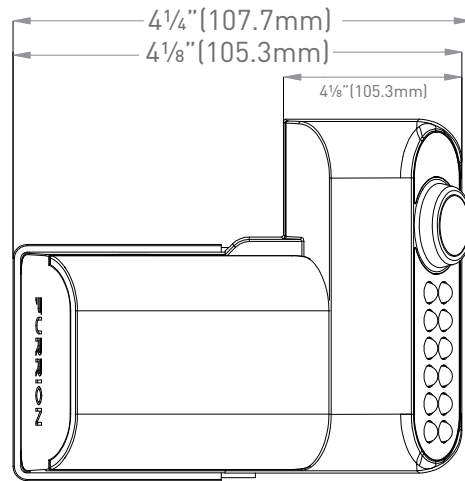
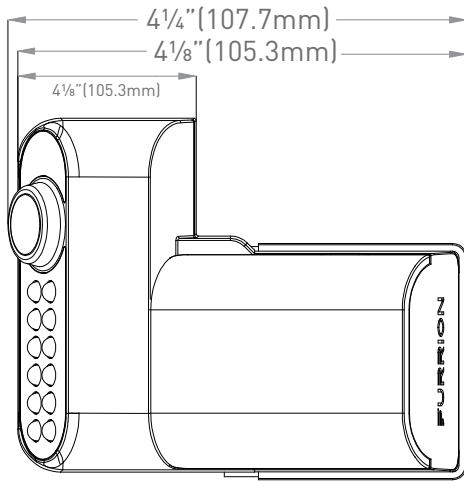


WATERPROOF



BLIND SPOT  
TURN SIGNAL

**FURRION**



## Specifications

Night Vision Distance	<39.37ft (12m)
CMOS Size	1/3"
Optical Lens	F2.5
IR Cut Filter	850nm Automatic
View Angle/Degree	65°
Working Current (IR ON)	<500mA@12V
Working Current (IR OFF)	<250mA@12V
Camera Pixel	720 x 480
Waterproof	IP65

FCE48TALT- Compatible with Vision S 5" & 7" Monitor

